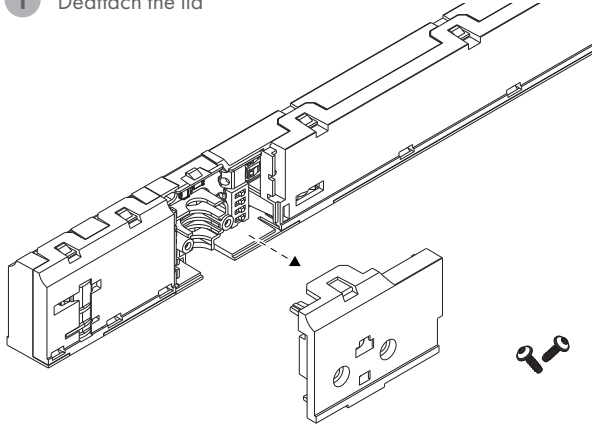


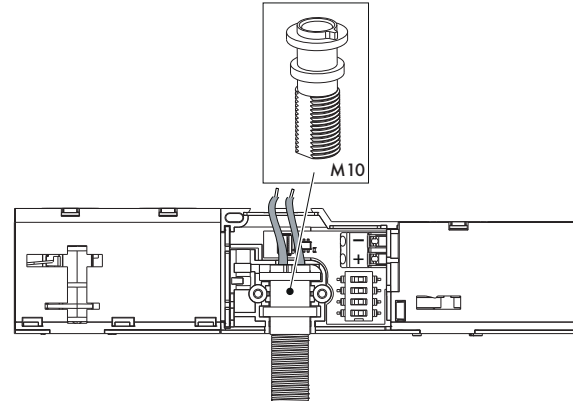
## InviTrack CC700 DA driver

Before installation, please ensure to read *Essential Safety Information*.

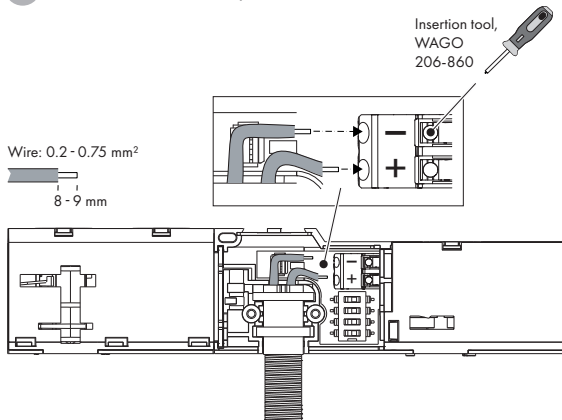
### 1 Deattach the lid



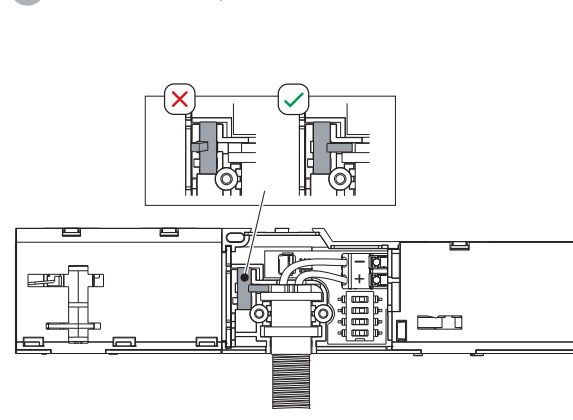
### 2 Insert retaining collar



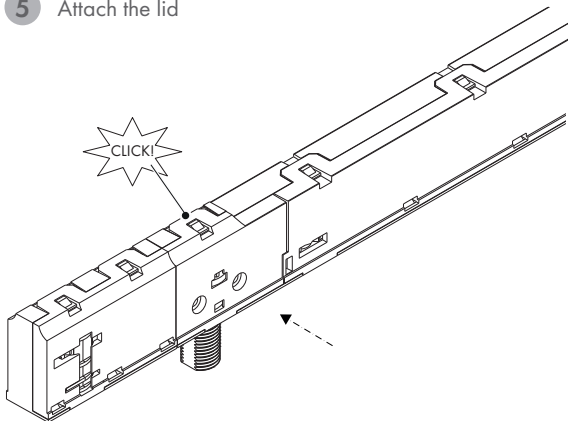
### 3 Install wires into output connector



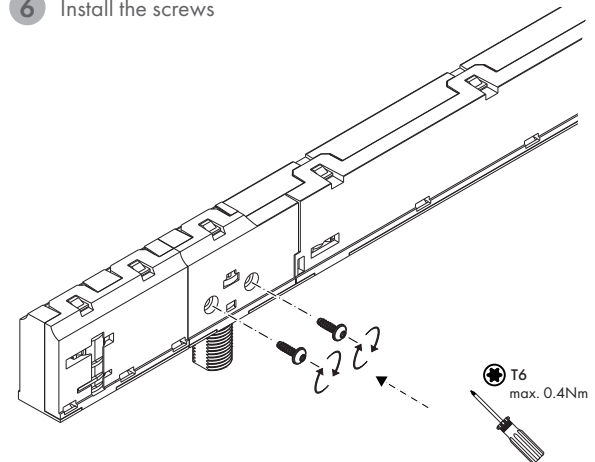
### 4 Insert rotation stop



### 5 Attach the lid



### 6 Install the screws



#### Essential Safety Information.

- The manufacturer is not liable for damage caused by improper use or installation.
- If any driver is subsequently modified, the person responsible for the modification shall be considered as manufacturer.
- It is the responsibility of the installer to ensure the electrical, mechanical and thermal compatibility of the driver and the fittings.
- Technical amendments and graphical presentation are subject to change.
- Save these instructions.

Scan the QR code to watch instructions on video

