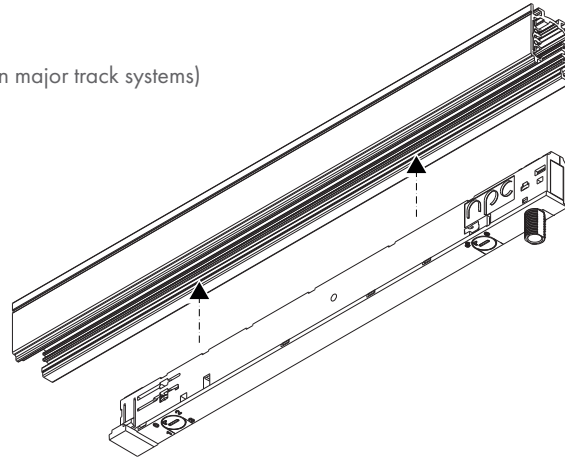


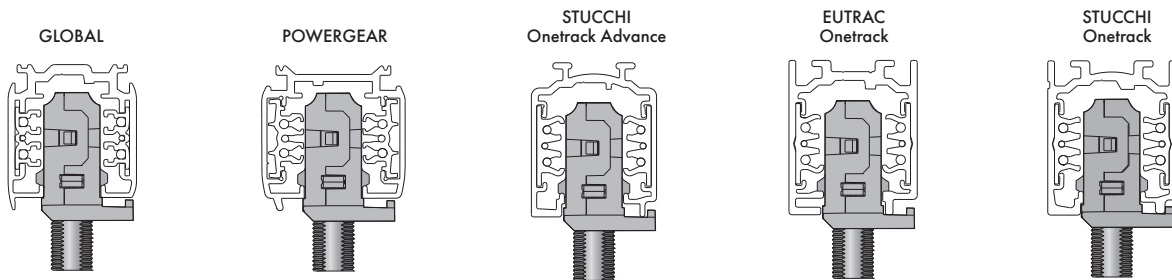
InviTrack CC700 driver

Before installation, please ensure to read *Essential Safety Information*.

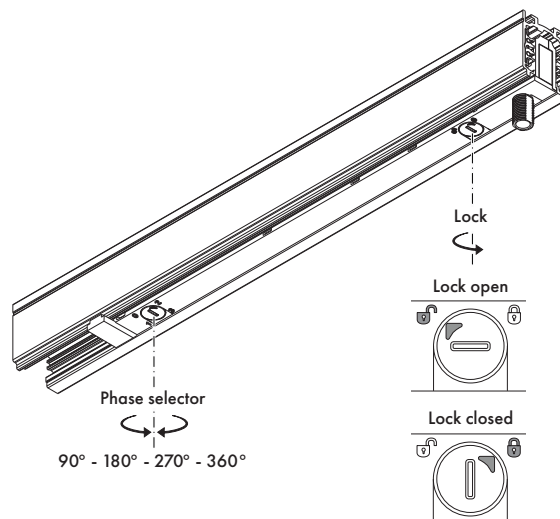
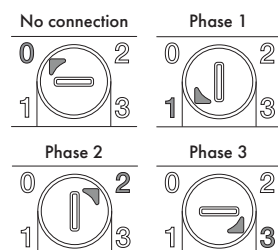
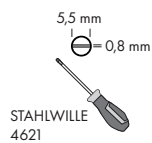
- 1 Install driver into track
(See **2** for position in major track systems)



- 2 InviTrack position in major track systems



- 3 Select phase and turn lock



Essential Safety Information.

- This driver/luminaire must be installed and maintained by a suitably qualified person in compliance with latest installation and safety regulations.
- Installation and operating of this driver/luminaire is subject to national safety regulations.
- Only ceiling mounted.
- The manufacturer is not liable for damage caused by improper use or installation.
- Technical amendments and graphical presentation are subject to change.
- Save these instructions.